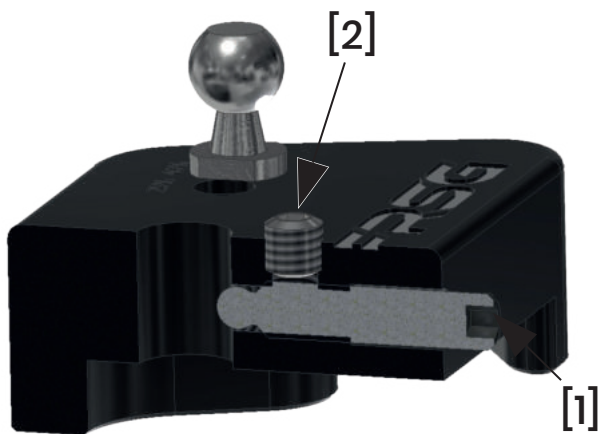


**FORESHIFT**

# Installation Instructions

- Ford Focus ST vFL / FL Petrol Engine
- Ford Focus MK3 RS



1. Screw the ball pivot into the desired shortening point
2. Remove the Intake Pipe
3. Remove Air Filter Box (unplug Mass Air Flow Meter)
4. Disconnect shift linkage from ball head
5. Put the Short Shifter over the original ball head
6. Tighten grub screw [1]
7. Tighten grub screw [2]
8. Gently screw on grub screw [3] (serves only to secure [1])
9. Clip the shift linkage into the new ball head
10. Reinstall Air Filter Box and Intake Pipe  
(Plug in the Air Flow Meter again!!!)

*If you have problems with the installation or need further information, you can watch our installation tutorial on YouTube.*

*Just use the following QR Code:  
( <https://youtu.be/CV3sMNaTT-A> )*



We will be happy to answer any questions about the product or provide assistance with installation if you don't know what to do.

Write us an e-mail to [info@foresight-shop.de](mailto:info@foresight-shop.de)  
and we will help you as soon as possible.