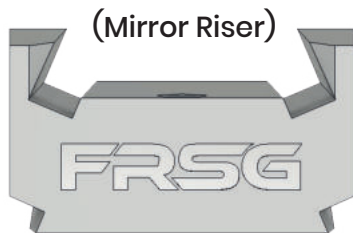


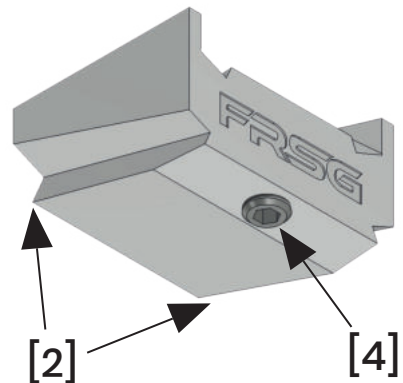
FORESTUFF

Installation Instructions

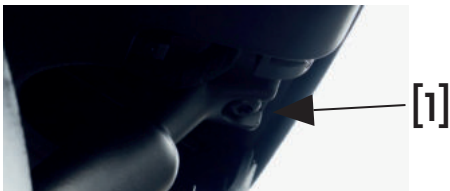
- Toyota GR Yaris



(Mirror Riser)



1. Carefully unclip the cover in the direction of travel (CAUTION: DANGER OF BREACH!)
2. Loosen [1] (TX20) screw at the mirror



3. Carefully pull off the mirror upwards
4. Slide Foresight Mirror Riser onto mirror [2]
5. Tighten the Screw [1] (TX20)
6. Slide mirror down with Foresight Mirror Riser in guide [3] on windshield



7. Tighten supplied grub screw (M5) with Allen key 2.5
8. Clip cover back in place

If you have problems with the installation or need further information, you can watch our installation tutorial on YouTube.

Just use the following QR Code:

(<https://youtu.be/Dj3DgFHhUJI>)



We will be happy to answer any questions about the product or provide assistance with installation if you don't know what to do.

Write us an e-mail to info@foresight-shop.de
and we will help you as soon as possible.